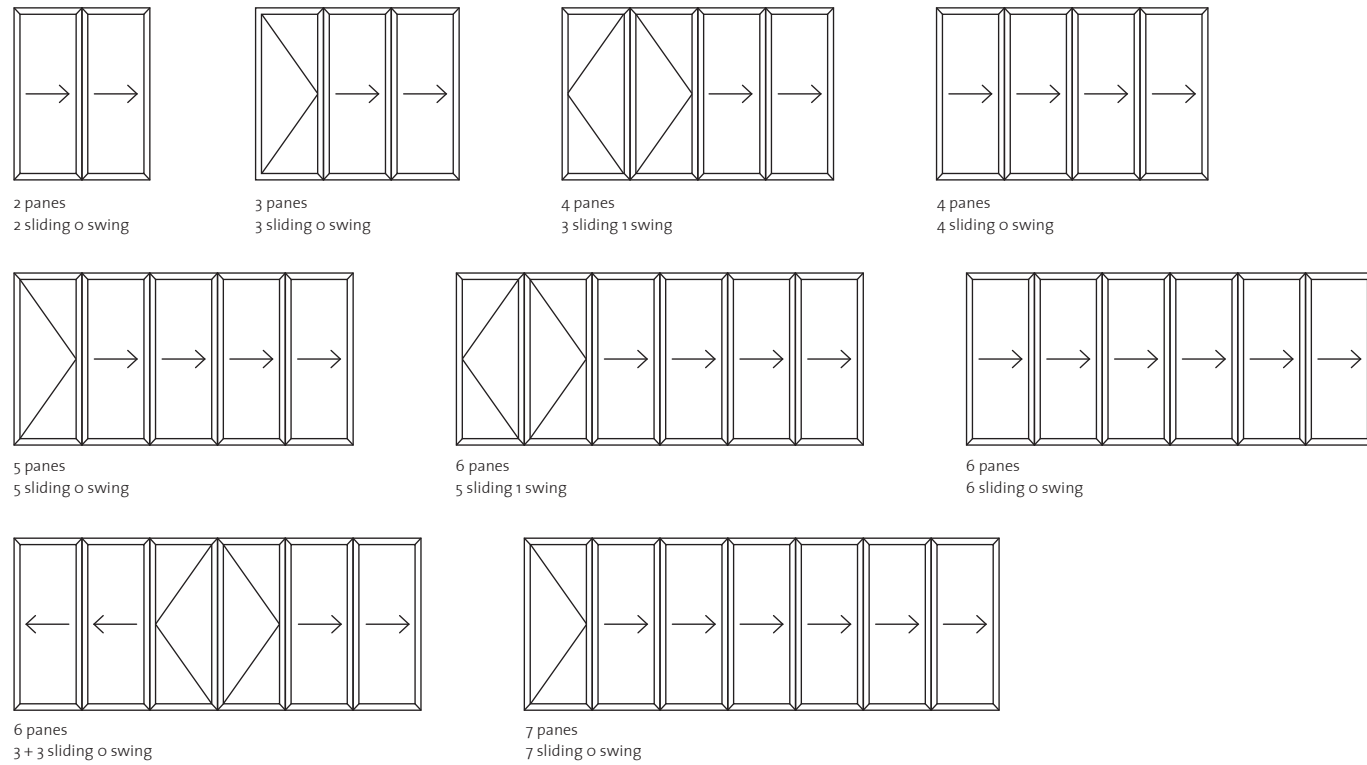


# CONFIGURATION OPTIONS

The new Crown sliding folding door is available in 2, 3, 4, 5, 6 & 7 pane options



As with all new product launches, we need images of the products installed. If you have installations that you think might be suitable then please contact Marketing. If selected, we will send a professional photographer to your site to take a selection of images and a full set of the images taken will be available to you to use in your own marketing materials - all at no cost to you.

## Continuous improvement: better performance

Our policy is one of continuous development and consequently we reserve the right to vary the products and their performance specification shown in this literature without notice. The images shown in this brochure are for illustration purposes only and must not be relied upon for specification. All products and systems which Sapa supply are supplied subject to Sapa's standard Terms and Conditions of Sale.

© Sapa Building Systems Limited

This brochure is issued subject to the condition that it shall not be reproduced without the consent of Sapa Building Systems Limited in writing.

This brochure reference C5190 05/2013

### Sapa Building Systems Ltd

Severn Drive, Tewkesbury, Gloucestershire GL20 8TX

Telephone: 01684 853500 Fax: 01684 851850

Email [info@sapabuildingsystems.co.uk](mailto:info@sapabuildingsystems.co.uk) Website [www.sapabuildingsystems.co.uk](http://www.sapabuildingsystems.co.uk)

**sapa:**

**buildingsystem**

ARCHITECTURAL ALUMINIUM SOLUTIONS

LAUNCH  
INFORMATION

**sapa:**

**buildingsystem**

ARCHITECTURAL ALUMINIUM SOLUTIONS



**CROWN**

CROWN SLIDING FOLDING DOOR

May 2013



# CROWN SLIDING FOLDING DOOR

We are pleased to announce the launch of a new sliding folding door into the Crown range. This stunning new addition to the Crown family will be exceptionally popular with its unique Shootbolt & 'D' Handle and continuous hinges. This innovative hinge solution means that there are no bulky or unsightly hinges to disrupt the contemporary sightlines. This product is complimentary to the existing Dualfold door and offers a range of different options to you and your client

## HARDWARE

Exceptional Aesthetics

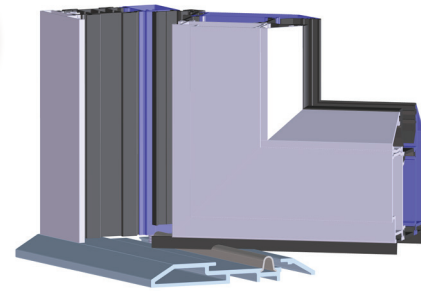


Continuous Hinge      Gasket

### Continuous Hinge

The new continuous hinge replicates the gasket for a seamless finish and superb aesthetics.

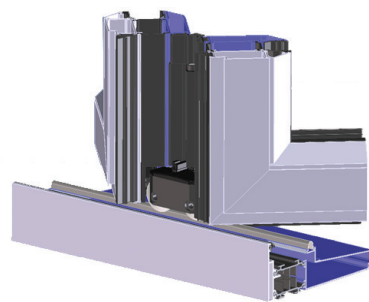
Accessibility Options



### Low Threshold Cill

Optional low threshold cill, used for ease of access.

Smooth Operation



### Easy-Glide Stainless Steel Wheels & Track

Easy glide stainless steel wheels run on stainless steel tracks, which are completely hidden when the door is closed.

Ease of Use



### New Shootbolt Handle - Lockable

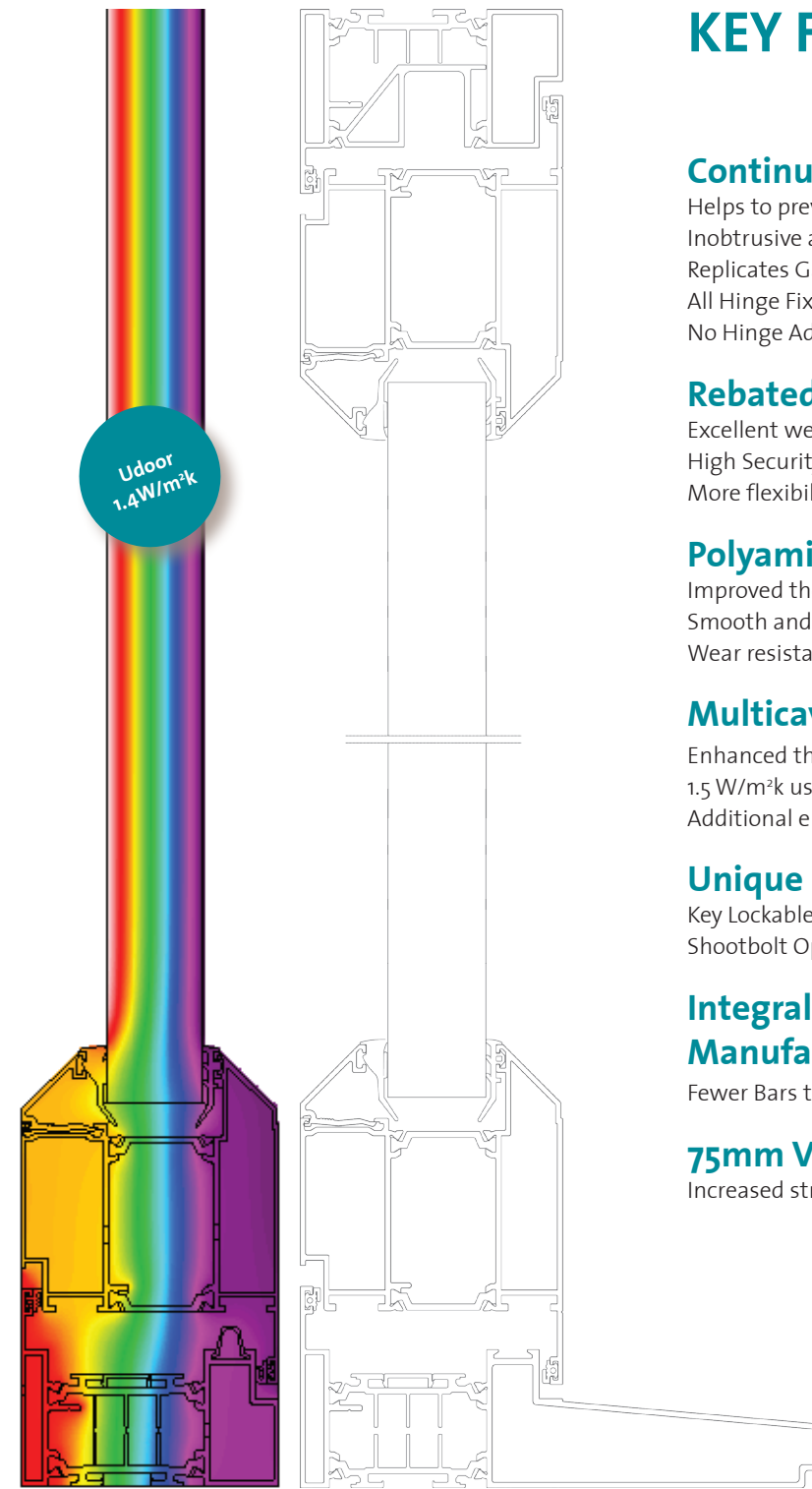
This unique minimalist handle throws the shoot-bolts into position with an easy action and provides an indicator that the shoot bolts are in place. In addition, the handle is key lockable for added security and peace of mind.

Robust & Secure



### Multi-Point Lock

The door features hardware designed specifically for doors - as opposed to 'window' hardware utilised on some doors of this type. This allows the Crown sliding folding door to not only be securely locked but also used as a main entry or exit operable from both inside and outside.



## KEY FEATURES & BENEFITS

### Continuous Hinge

- Helps to prevent fingers becoming trapped
- Inobtrusive aesthetics
- Replicates Gasket Joint
- All Hinge Fixing Screws are Covered by Trim/Seal Extrusion
- No Hinge Adjustment required

### Rebated Leaf (Head, Cill & Locking Jamb)

- Excellent weather performance
- High Security
- More flexibility with fitting tolerance for ease of installation

### Polyamide Head Guide Track

- Improved thermal performance
- Smooth and quiet operation
- Wear resistant contact surface

### Multicavity Outer Frame (Si Polyamides)

- Enhanced thermal performance
- 1.5 W/m²k using 1.0 W/m²k DGU
- Additional enhancements to 1.4 W/m²k overall soon

### Unique Combined Shootbolt & 'D' Handle

- Key Lockable
- Shootbolt Operation & Pull Handle In one

### Integral Cills Option for Quicker Manufacture and Installation

- Fewer Bars to Coat, Cut and Machine.

### 75mm Vent Profile

- Increased strength.



## OUTSTANDING DESIGN FOR EVERY PROJECT

- 1000mm Max Leaf Width
- 580mm Min Leaf Width
- 3000mm Max door Height
- 100Kg Max Leaf Weight
- 28mm Glazing
- Chamfered Bead
- 2, 3, 4, 5, 6 & 7 Panes
- Types 220, 330, 431, 440, 550, 651, 633, 660, 770
- Open In & Out, Left & Right Hand
- Standard & Low Thresholds
- Mechanically Jointed Outerframe With Adjustable Jambs
- Over Head Trickle Vent Option
- Dualsecure Multipoint Lock
- Bespoke Rollers & Top Guides
- Suited Masterleaf Handles to Match Other Crown and Dualframe